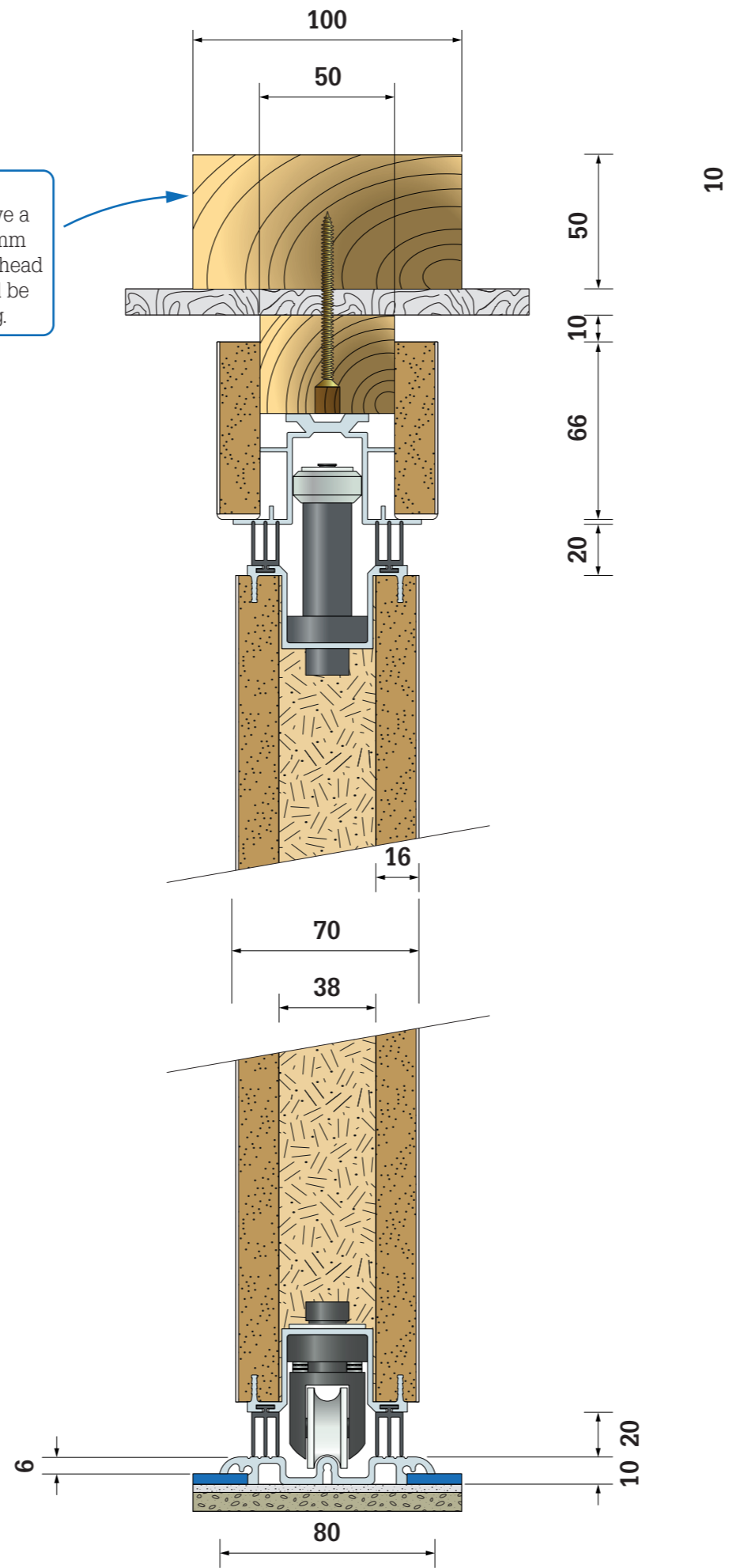


**Head Detail**  
 Opening head must have a minimum of a 100 x 50mm timber to screw-fix the head guide track into. Should be concealed above ceiling.



**Operable Wall Systems Ltd**  
 Greenacres, Flaunden Lane,  
 Belsize, Hertfordshire. WD3 4NS  
 01923 244 258

**SYSTEM:** MonoFold 75

**TITLE:**  
 MonoFold 75A  
 Sliding Folding Wall Cross Section

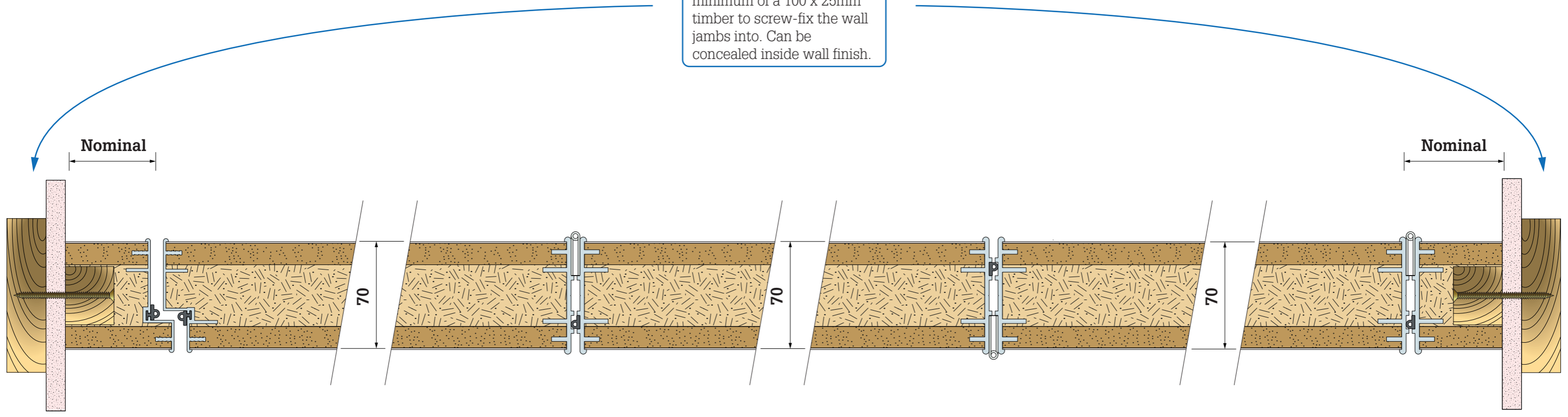
**DRAWING NO:** MW75ACS

**REV:** 1.0      **DATE:** 28.05.21

**DRAWING BY:** Chris Hardey

**SCALE:** NTS

**Jamb Support Detail**  
 Opening head must have a minimum of a 100 x 25mm timber to screw-fix the wall jambs into. Can be concealed inside wall finish.



**monowa**  
 Operable Wall Systems Ltd  
 Greenacres, Flaunden Lane,  
 Belsize, Hertfordshire. WD3 4NS  
 01923 244 258

**SYSTEM:** MonoFold 75  
**TITLE:**  
 MonoFold 75A  
 Jamb & Panel Detail - Single Wing

**DRAWING NO:** MF75AJPSW

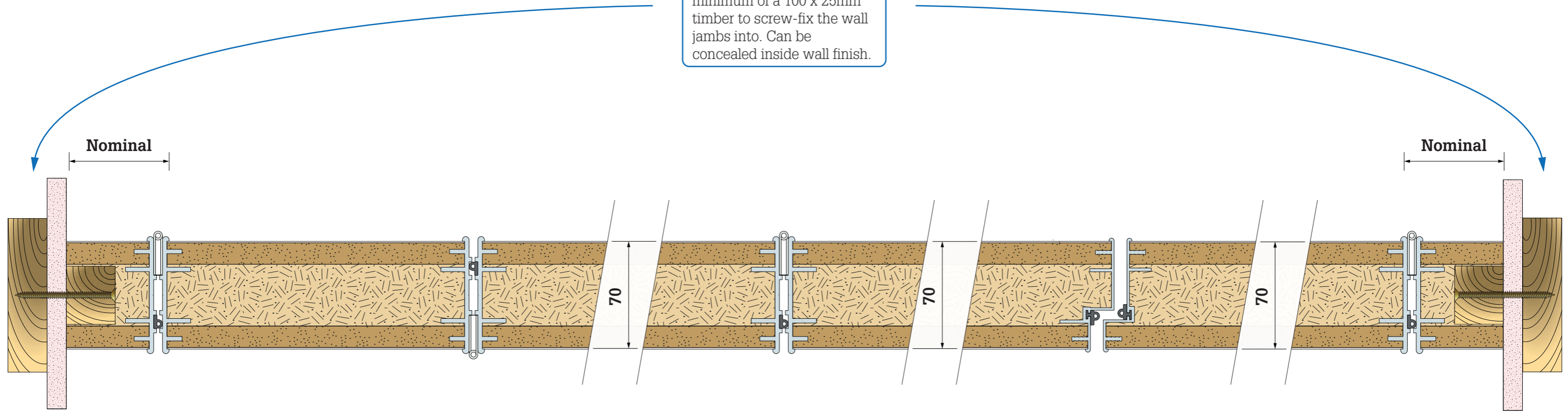
**REV:** 1.0      **DATE:** 28.05.21

**DRAWING BY:** Chris Hardey

**SCALE:** NTS

The information contained within this drawing is Confidential, and remains the sole property of Monowa Operable Wall Systems Ltd  
 COPYRIGHT Monowa Operable Wall Systems Ltd © 2021

**Jamb Support Detail**  
 Opening head must have a minimum of a 100 x 25mm timber to screw-fix the wall jambs into. Can be concealed inside wall finish.

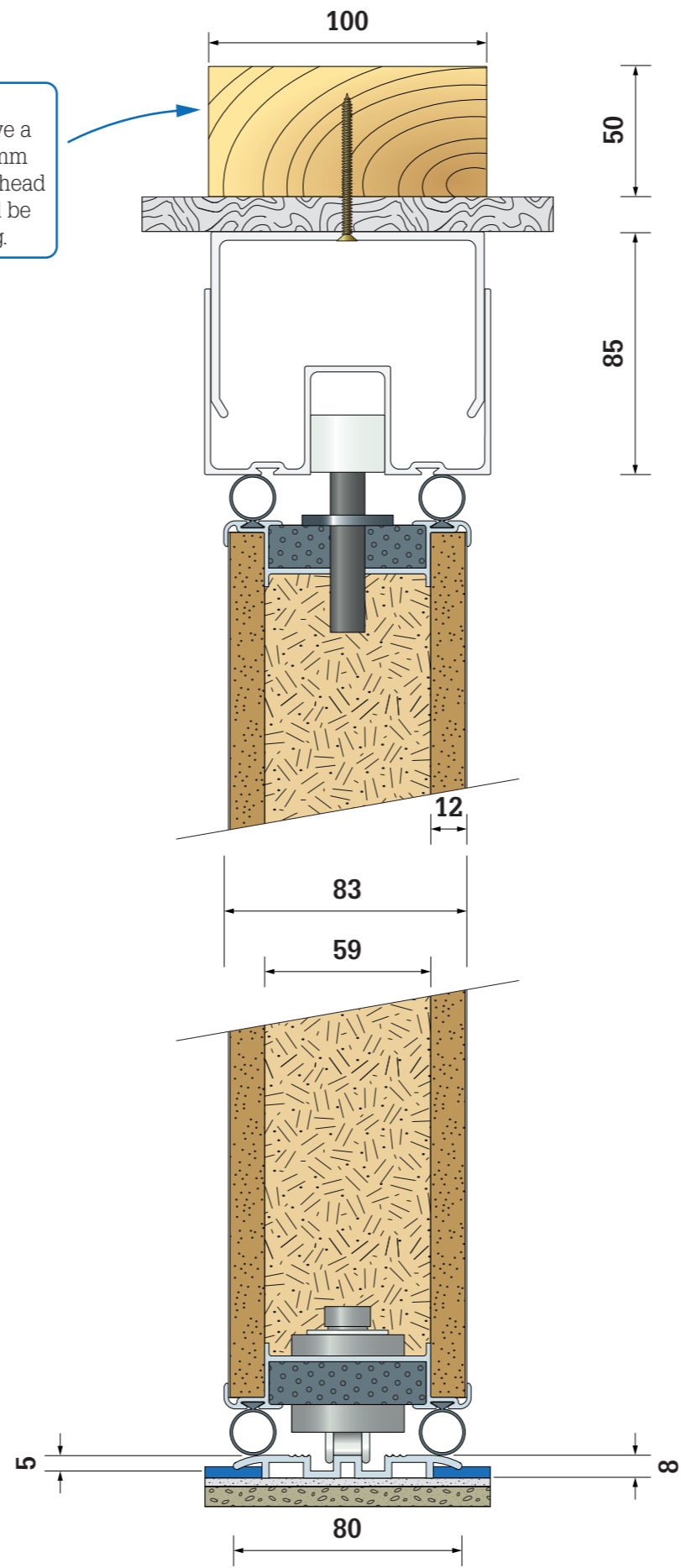



**Operable Wall Systems Ltd**  
 Greenacres, Flaunden Lane,  
 Belsize, Hertfordshire. WD3 4NS  
 01923 244 258

<b>SYSTEM:</b> MonoFold 75	
<b>TITLE:</b> MonoFold 75A Jamb & Panel Detail - Bi-Parting	
<b>DRAWING NO:</b> MF75AJBPB	
<b>REV:</b> 1.0	<b>DATE:</b> 28.05.21
<b>DRAWING BY:</b> Chris Hardey	
<b>SCALE:</b> NTS	

The information contained within this drawing is Confidential, and remains the sole property of **Monowa Operable Wall Systems Ltd**  
 COPYRIGHT Monowa Operable Wall Systems Ltd © 2021

**Head Detail**  
 Opening head must have a minimum of a 100 x 50mm timber to screw-fix the head guide track into. Should be concealed above ceiling.

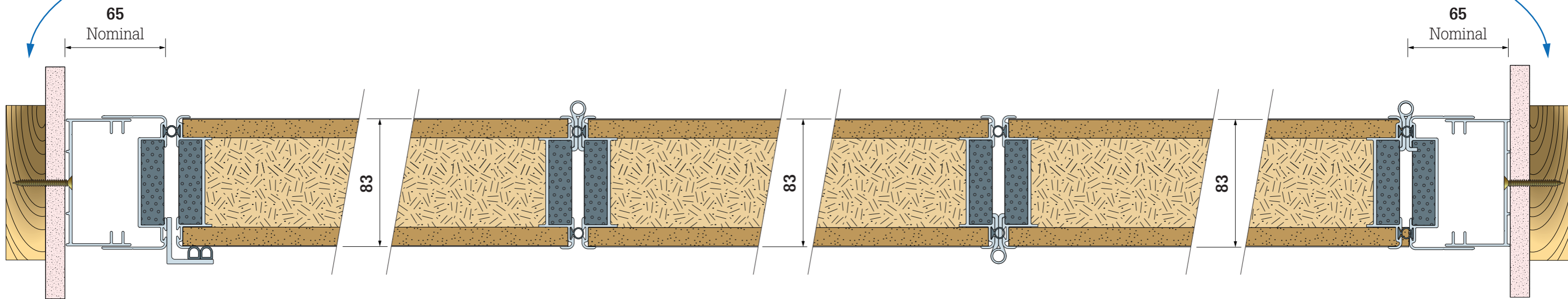


**monowa**  
 Operable Wall Systems Ltd  
 Greenacres, Flaunden Lane,  
 Belsize, Hertfordshire. WD3 4NS  
 01923 244 258

<b>SYSTEM:</b> MonoFold 75	
<b>TITLE:</b> MonoFold 75D Sliding Folding Wall Cross Section	
<b>DRAWING NO:</b> MW75DCS	
<b>REV:</b> 1.0	<b>DATE:</b> 28.05.21
<b>DRAWING BY:</b> Chris Hardey	
<b>SCALE:</b> NTS	

The information contained within this drawing is Confidential, and remains the sole property of **Monowa Operable Wall Systems Ltd**  
 COPYRIGHT Monowa Operable Wall Systems Ltd © 2021

**Jamb Support Detail**  
 Opening head must have a minimum of a 100 x 25mm timber to screw-fix the wall jambs into. Can be concealed inside wall finish.

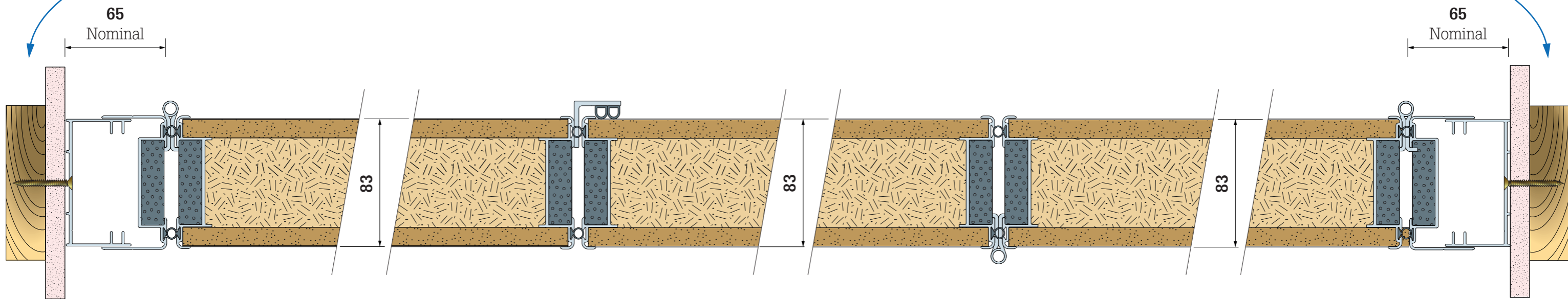


**monowa**  
**Operable Wall Systems Ltd**  
 Greenacres, Flaunden Lane,  
 Belsize, Hertfordshire. WD3 4NS  
 01923 244 258

**SYSTEM:** MonoFold 75  
**TITLE:**  
 MonoFold 75D  
 Jamb & Panel Detail - Single Wing  
**DRAWING NO:** MF75DJPSW  
**REV:** 1.0      **DATE:** 28.05.21  
**DRAWING BY:** Chris Hardey  
**SCALE:** NTS

The information contained within this drawing is Confidential, and remains the sole property of **Monowa Operable Wall Systems Ltd**  
 COPYRIGHT Monowa Operable Wall Systems Ltd © 2021

**Jamb Support Detail**  
 Opening head must have a minimum of a 100 x 25mm timber to screw-fix the wall jambs into. Can be concealed inside wall finish.



**monowa**  
 Operable Wall Systems Ltd  
 Greenacres, Flaunden Lane,  
 Belsize, Hertfordshire. WD3 4NS  
 01923 244 258

**SYSTEM:** MonoFold 75  
**TITLE:**  
 MonoFold 75D  
 Jamb & Panel Detail - Bi-Parting  
**DRAWING NO:** MF75DJPBP  
**REV:** 1.0      **DATE:** 28.05.21  
**DRAWING BY:** Chris Hardey  
**SCALE:** NTS

The information contained within this drawing is Confidential, and remains the sole property of **Monowa Operable Wall Systems Ltd**  
 COPYRIGHT Monowa Operable Wall Systems Ltd © 2021