



**Operable Wall Systems**  
Greenacres, Flaunden Lane,  
Belsize, Hertfordshire. WD3 4NS  
01923 244 258

**SYSTEM:** MonoWall/Clear/Glaze

**TITLE:**  
Straight Fix For RSJ ('I' Beam)

**DRAWING NO:** MS100

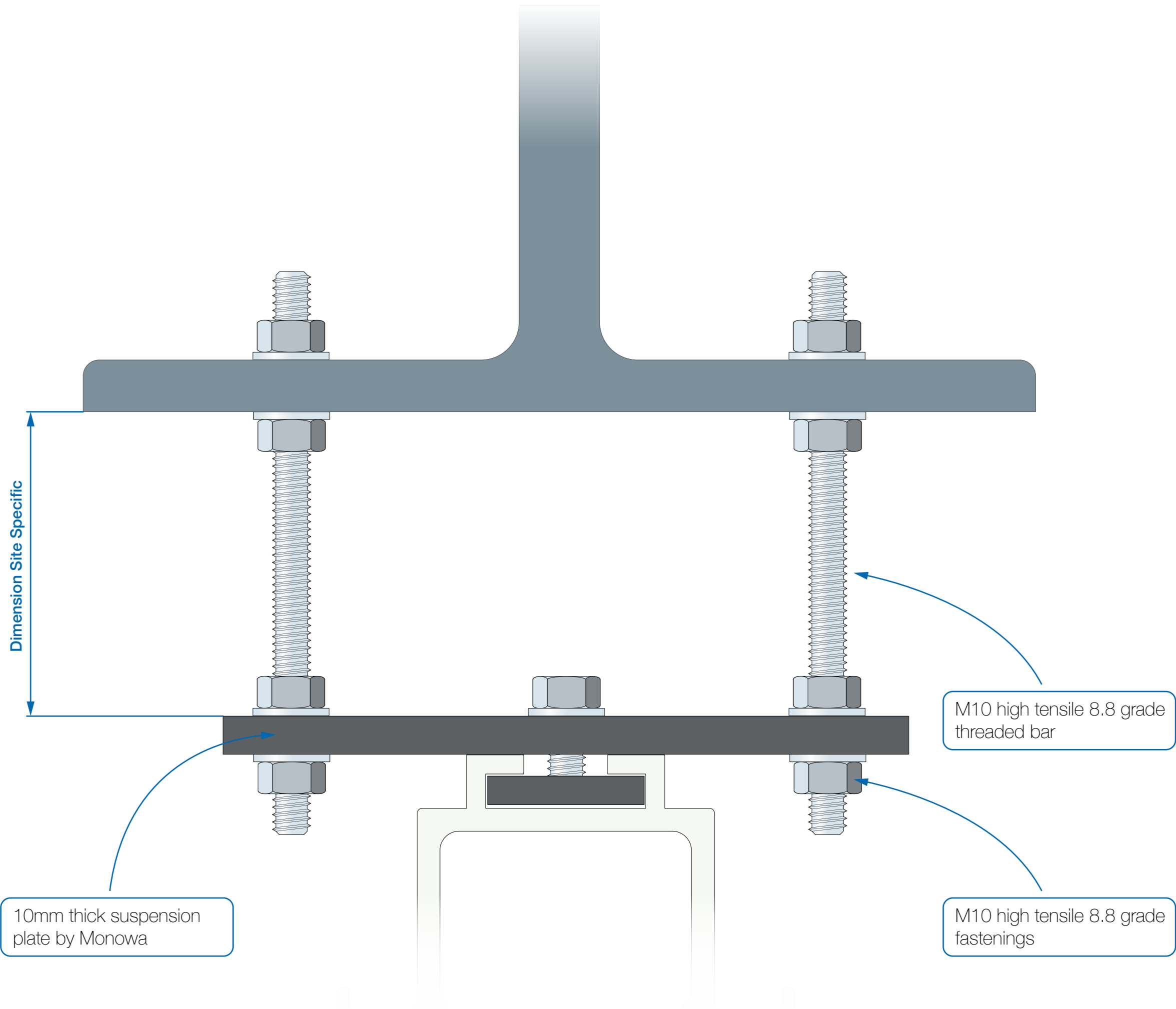
**REV:** 2.0      **DATE:** 13.06.22

**DRAWING BY:** Chris Hardey

**SCALE:** 1:1 @ A3

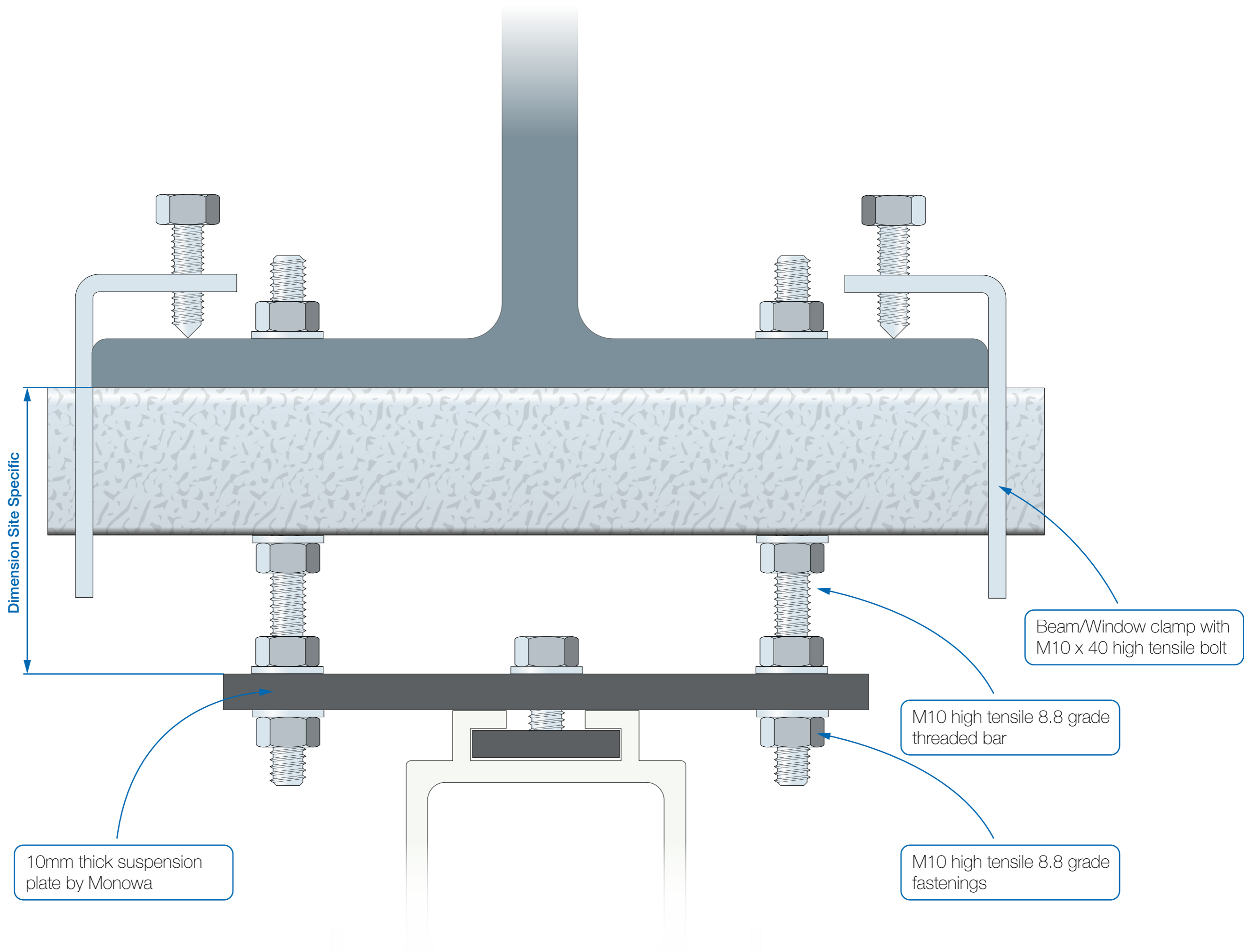
For use with all:  
Single Point and Twin Point  
Suspension Systems

The information contained within this drawing is  
Confidential, and remains the sole property of  
**Monowa Operable Wall Systems Ltd**  
COPYRIGHT Monowa Operable Wall Systems Ltd © 2022



## MS100 Fixing Detail

Straight RSJ ('I' Beam) Fix For Single Point and Twin Point Track



**Operable Wall Systems**  
 Greenacres, Flaunden Lane,  
 Belsize, Hertfordshire. WD3 4NS  
 01923 244 258

**SYSTEM:** MonoWall/Clear/Glaze

**TITLE:**  
 Beam/Window Clamp Fix For  
 RSJ ('I' Beam)

**DRAWING NO:** MS101

**REV:** 2.0      **DATE:** 13.06.22

**DRAWING BY:** Chris Hardey

**SCALE:** 1:1 @ A3

For use with all:  
 Single Point and Twin Point  
 Suspension Systems

The information contained within this drawing is  
 Confidential, and remains the sole property of  
 Monowa Operable Wall Systems Ltd  
 COPYRIGHT Monowa Operable Wall Systems Ltd © 2022

## MS101 Fixing Detail

### Window/Beam Clamp RSJ ('I' Beam) Fix For Single Point and Twin Point Track



**Operable Wall Systems**  
Greenacres, Flaunden Lane,  
Belsize, Hertfordshire. WD3 4NS  
01923 244 258

**SYSTEM:** MonoWall/Clear/Glaze

**TITLE:**  
Flange Clamp Fix For Narrow  
RSJ ('I' Beam)

**DRAWING NO:** MS102

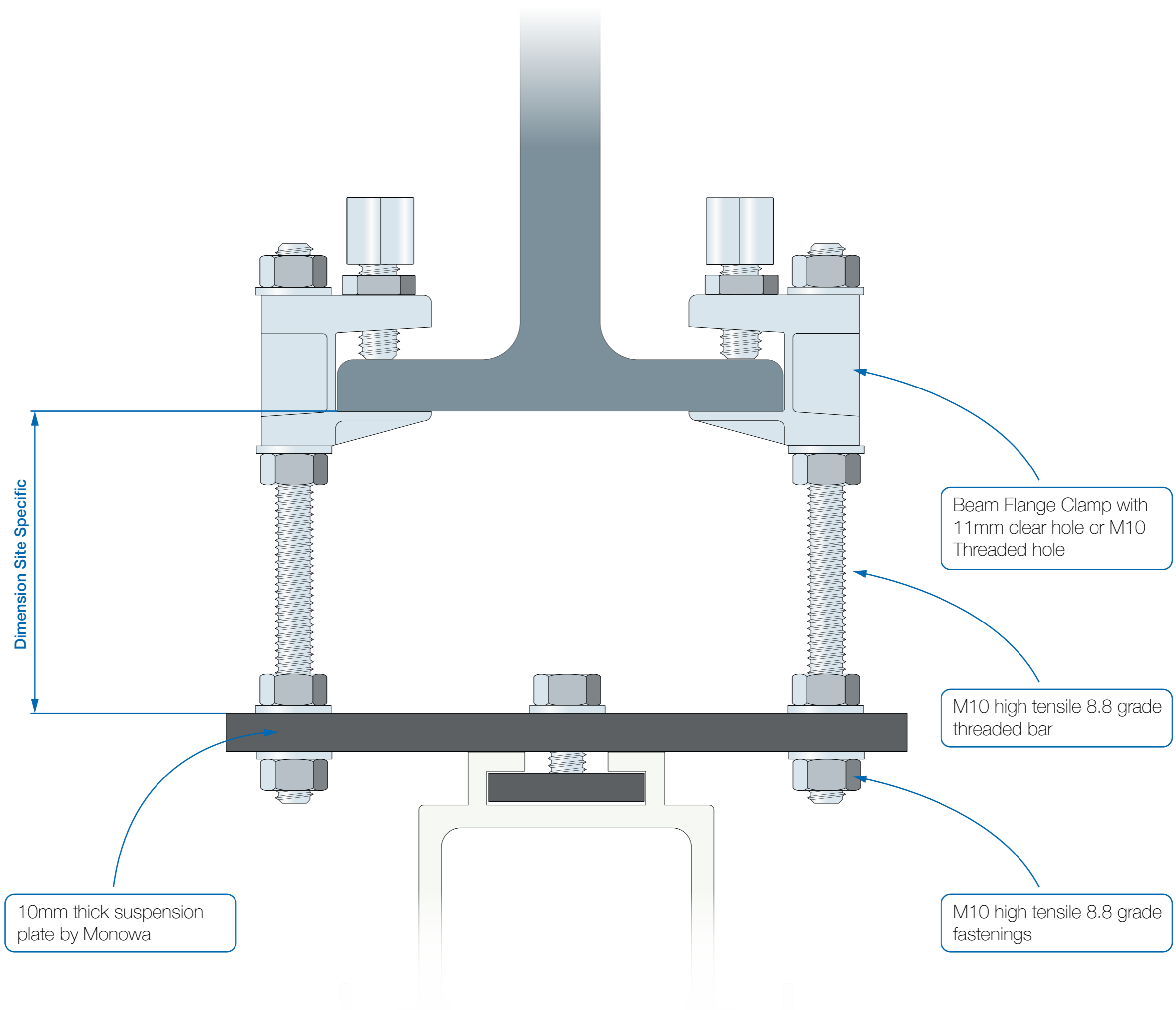
**REV:** 2.0      **DATE:** 13.06.22

**DRAWING BY:** Chris Hardey

**SCALE:** 1:1 @ A3

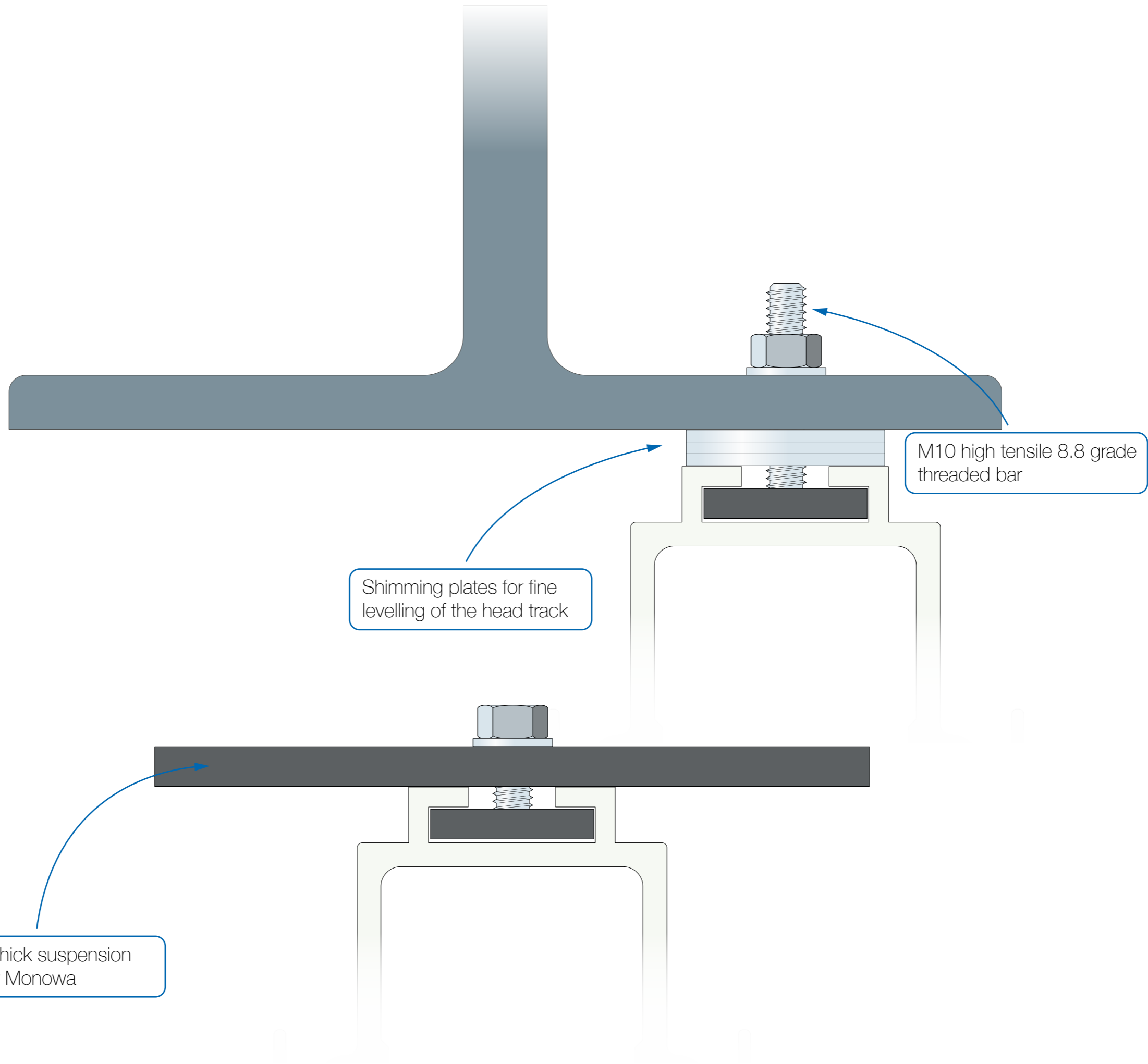
For use with all:  
Single Point and Twin Point  
Suspension Systems

The information contained within this drawing is  
Confidential, and remains the sole property of  
Monowa Operable Wall Systems Ltd  
COPYRIGHT Monowa Operable Wall Systems Ltd © 2022



**MS102 Fixing Detail**  
Flange Clamp Narrow RSJ ('I' Beam) Fix For Single Point and Twin Point Track

INDICATIVE DRAWING



**Operable Wall Systems**  
 Greenacres, Flaunden Lane,  
 Belsize, Hertfordshire. WD3 4NS  
 01923 244 258

**SYSTEM:** MonoWall/Clear/Glaze

**TITLE:**  
 Direct Fix For RSJ ('I' Beam)

**DRAWING NO:** MS103

**REV:** 2.0      **DATE:** 13.06.22

**DRAWING BY:** Chris Hardey

**SCALE:** 1:1 @ A3

For use with all:  
 Single Point and Twin Point  
 Suspension Systems

The information contained within this drawing is  
 Confidential, and remains the sole property of  
 Monowa Operable Wall Systems Ltd  
 COPYRIGHT Monowa Operable Wall Systems Ltd © 2022

**MS103 Fixing Detail**  
 Direct RSJ ('I' Beam) Fix For Single Point and Twin Point Track

INDICATIVE DRAWING



**Operable Wall Systems**

Greenacres, Flaunden Lane,  
Belsize, Hertfordshire. WD3 4NS  
01923 244 258

**SYSTEM:** MonoWall/Clear/Glaze

**TITLE:**  
Offset/Cantilever Fix For  
RSJ ('I' Beam)

**DRAWING NO:** MS104

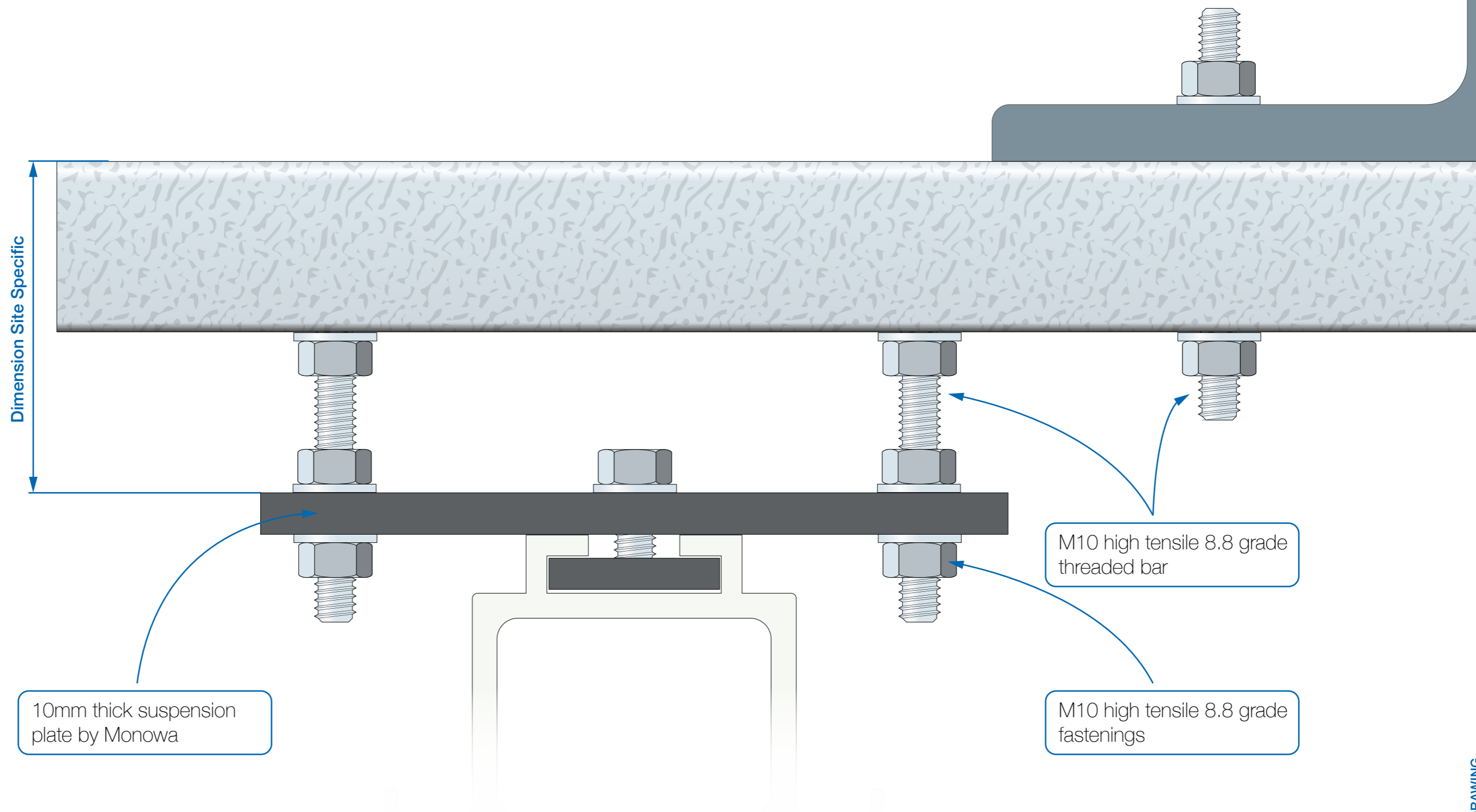
**REV:** 2.0      **DATE:** 13.06.22

**DRAWING BY:** Chris Hardey

**SCALE:** 1:1 @ A3

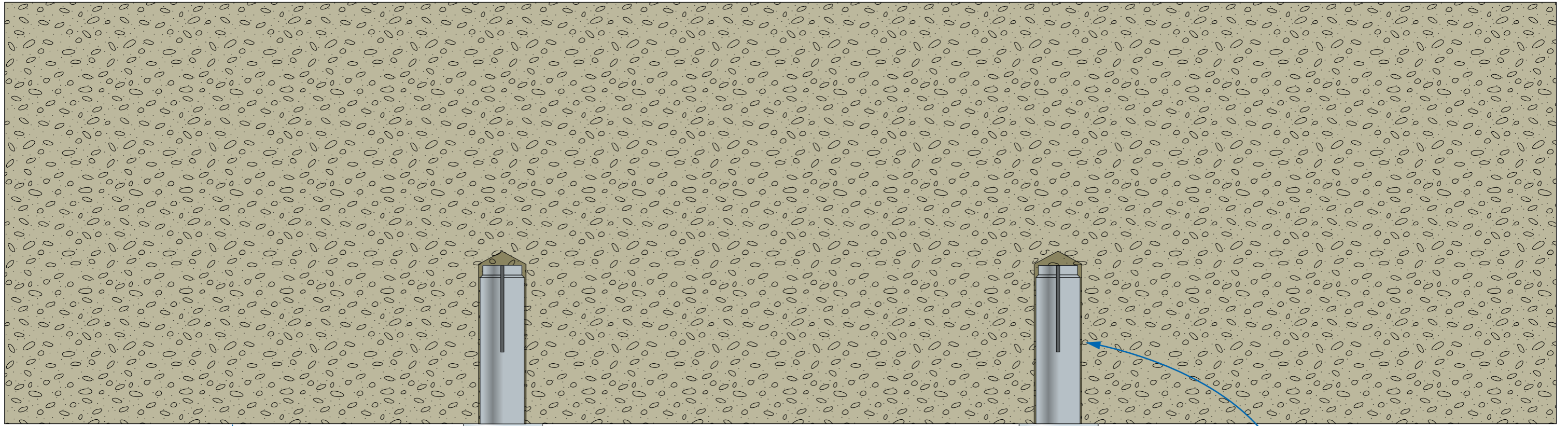
For use with all:  
Single Point and Twin Point  
Suspension Systems

The information contained within this drawing is  
Confidential, and remains the sole property of  
**Monowa Operable Wall Systems Ltd**  
COPYRIGHT Monowa Operable Wall Systems Ltd © 2022



## MS104 Fixing Detail

### Offset/Cantilever RSJ ('I' Beam) Fix For Single Point and Twin Point Track



M10 X 40mm concrete anchor inserts

Dimension Site Specific

M10 high tensile 8.8 grade threaded bar

M10 high tensile 8.8 grade fastenings

10mm thick suspension plate by Monowa



**Operable Wall Systems**  
Greenacres, Flaunden Lane,  
Belsize, Hertfordshire. WD3 4NS  
01923 244 258

**SYSTEM:** MonoWall/Clear/Glaze

**TITLE:**  
Straight Fix Into Concrete

**DRAWING NO:** MC100

**REV:** 2.0      **DATE:** 13.06.22

**DRAWING BY:** Chris Hardey

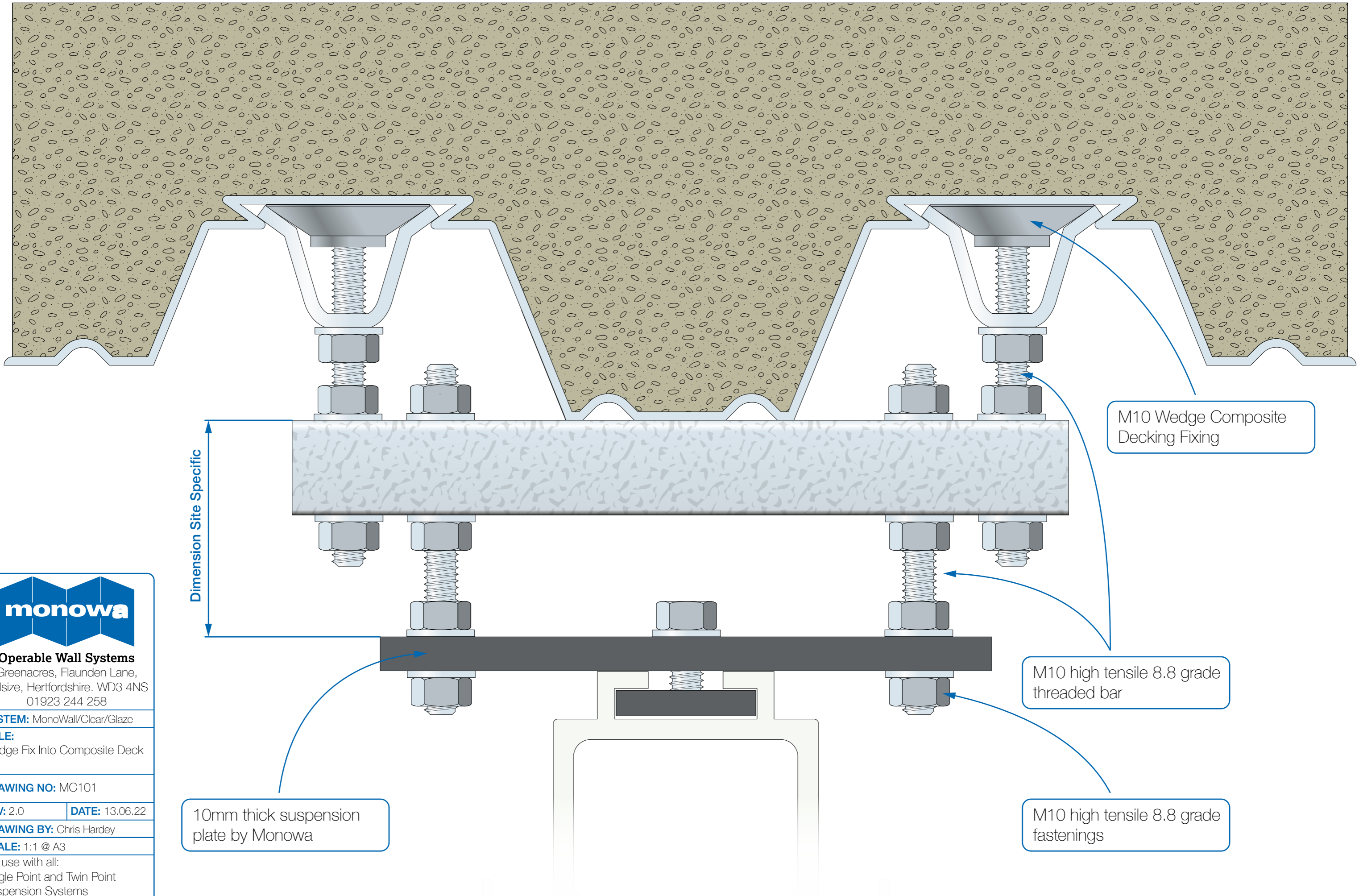
**SCALE:** 1:1 @ A3

For use with all:  
Single Point and Twin Point  
Suspension Systems

# MC100 Fixing Detail

## Straight Concrete Fix For Single Point and Twin Point Track

The information contained within this drawing is Confidential, and remains the sole property of Monowa Operable Wall Systems Ltd  
COPYRIGHT Monowa Operable Wall Systems Ltd © 2022



Dimension Site Specific

M10 Wedge Composite Decking Fixing

M10 high tensile 8.8 grade threaded bar

M10 high tensile 8.8 grade fastenings

10mm thick suspension plate by Monowa



**Operable Wall Systems**  
Greenacres, Flaunden Lane,  
Belsize, Hertfordshire. WD3 4NS  
01923 244 258

**SYSTEM:** MonoWall/Clear/Glaze

**TITLE:**  
Wedge Fix Into Composite Deck

**DRAWING NO:** MC101

**REV:** 2.0      **DATE:** 13.06.22

**DRAWING BY:** Chris Hardey

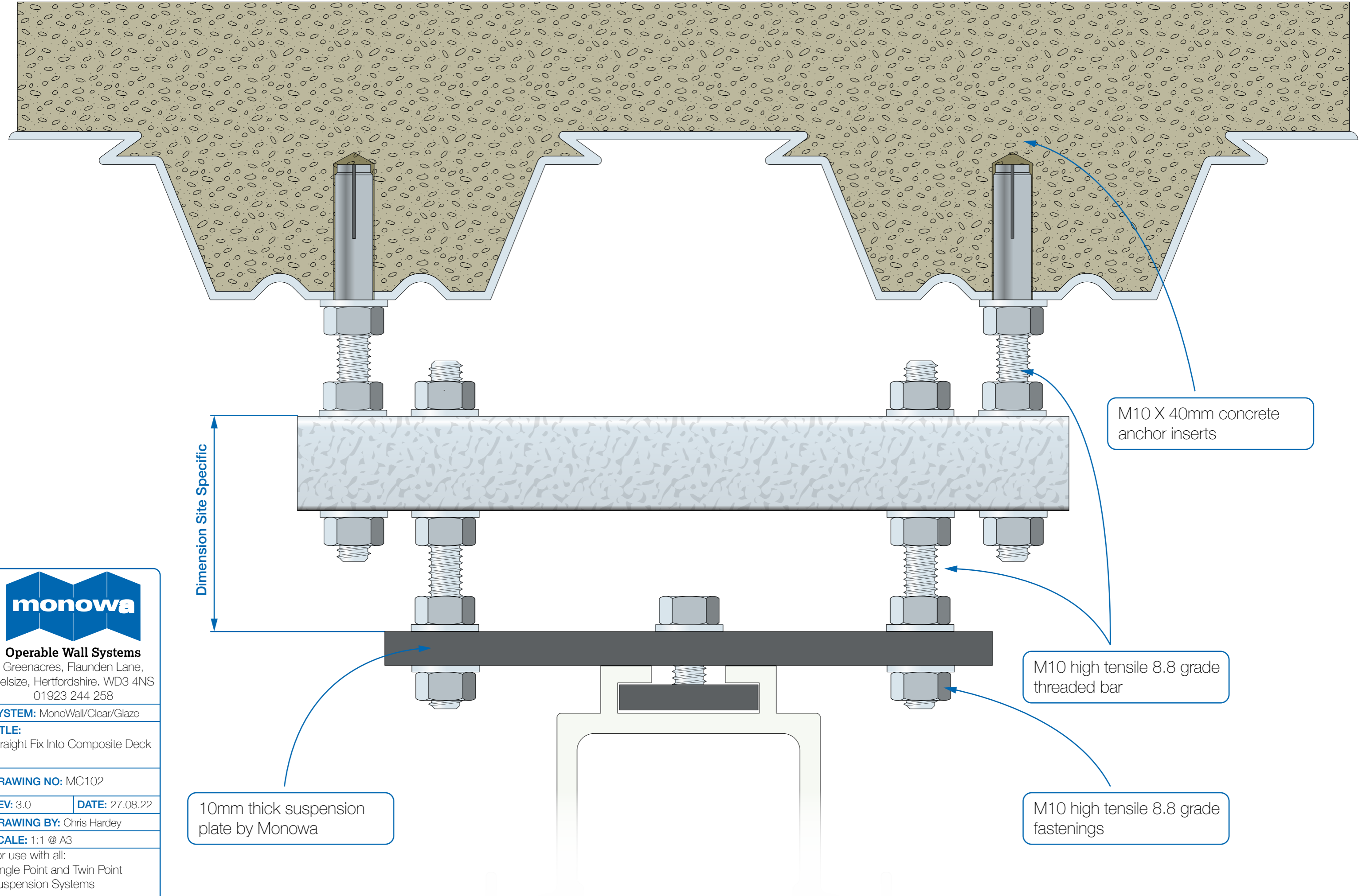
**SCALE:** 1:1 @ A3

For use with all:  
Single Point and Twin Point  
Suspension Systems

The information contained within this drawing is Confidential, and remains the sole property of Monowa Operable Wall Systems Ltd  
COPYRIGHT Monowa Operable Wall Systems Ltd © 2022

## MC101 Fixing Detail

Composite Deck Fix For Single Point and Twin Point Track *if deck penetration is not allowed*



**Operable Wall Systems**  
 Greenacres, Flaunden Lane,  
 Belsize, Hertfordshire. WD3 4NS  
 01923 244 258

**SYSTEM:** MonoWall/Clear/Glaze

**TITLE:**  
 Straight Fix Into Composite Deck

**DRAWING NO:** MC102

**REV:** 3.0      **DATE:** 27.08.22

**DRAWING BY:** Chris Hardey

**SCALE:** 1:1 @ A3

For use with all:  
 Single Point and Twin Point  
 Suspension Systems

The information contained within this drawing is  
 Confidential, and remains the sole property of  
 Monowa Operable Wall Systems Ltd  
 COPYRIGHT Monowa Operable Wall Systems Ltd © 2022

10mm thick suspension  
 plate by Monowa

M10 X 40mm concrete  
 anchor inserts

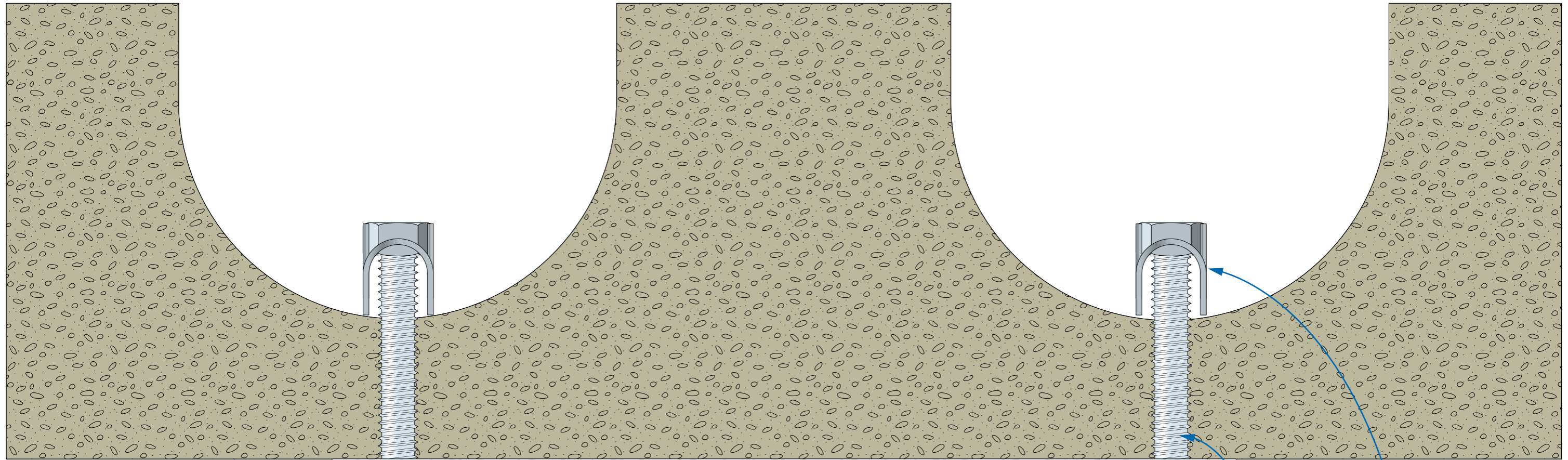
M10 high tensile 8.8 grade  
 threaded bar

M10 high tensile 8.8 grade  
 fastenings

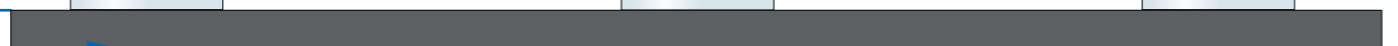
## MC102 Fixing Detail

Composite Deck Fix For Single Point and Twin Point Track *if deck penetration is allowed*





Dimension Site Specific



M10 hollow pre-cast concrete toggle inserts

M10 high tensile 8.8 grade threaded bar

M10 high tensile 8.8 grade fastenings

10mm thick suspension plate by Monowa



**Operable Wall Systems**  
Greenacres, Flaunden Lane,  
Belsize, Hertfordshire. WD3 4NS  
01923 244 258

**SYSTEM:** MonoWall/Clear/Glaze

**TITLE:**  
Through Fix Into Hollow Pre-Cast  
Concrete

**DRAWING NO:** MC103

**REV:** 2.0      **DATE:** 13.06.22

**DRAWING BY:** Chris Hardey

**SCALE:** 1:1 @ A3

For use with all:  
Single Point and Twin Point  
Suspension Systems

The information contained within this drawing is  
Confidential, and remains the sole property of  
Monowa Operable Wall Systems Ltd  
COPYRIGHT Monowa Operable Wall Systems Ltd © 2022

## MC103 Fixing Detail

### Hollow Pre-Cast Concrete Fix For Single Point and Twin Point Track

INDICATIVE DRAWING