

Operable Wall Systems Ltd
Greenacres, Flaunden Lane,
Belsize, Hertfordshire. WD3 4NS
01923 244 258

SYSTEM: MonoWall 100

TITLE:
MonoWall 100A
Single Point Panel Cross Section

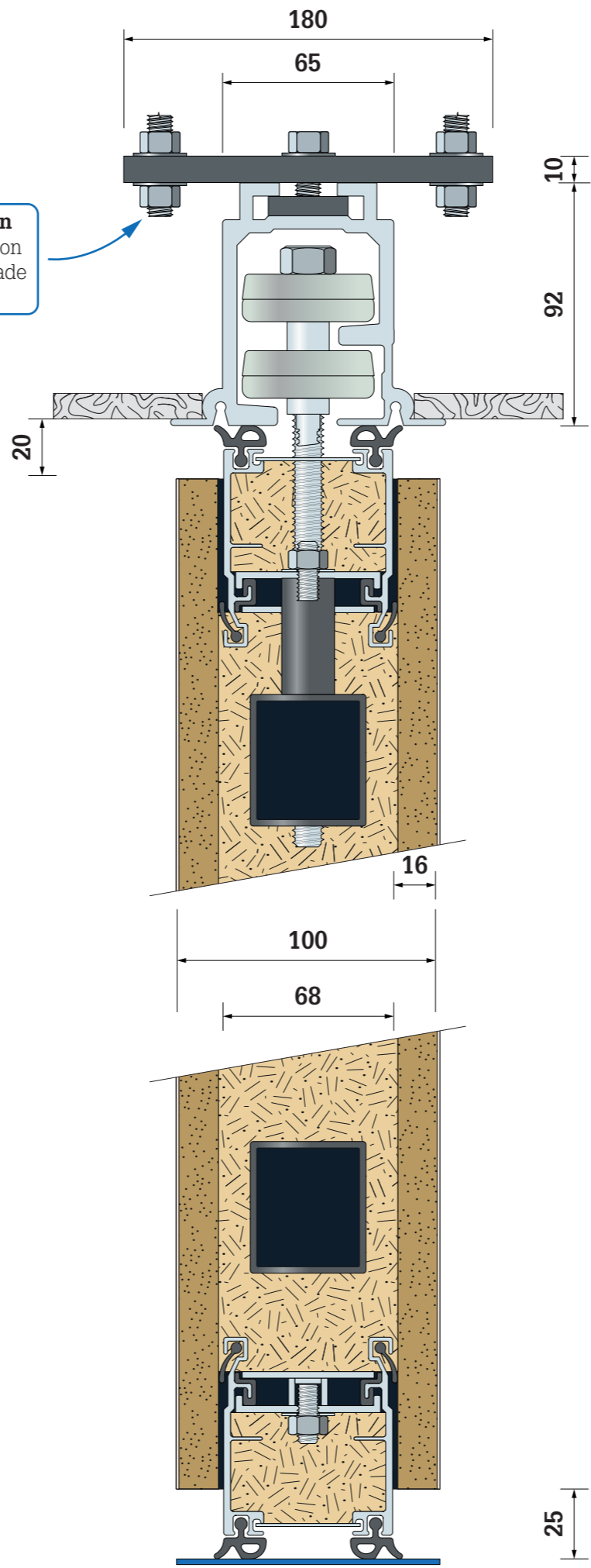
DRAWING NO: MW100ASPCS

REV: 1.0 **DATE:** 25.01.21

DRAWING BY: Chris Hardey

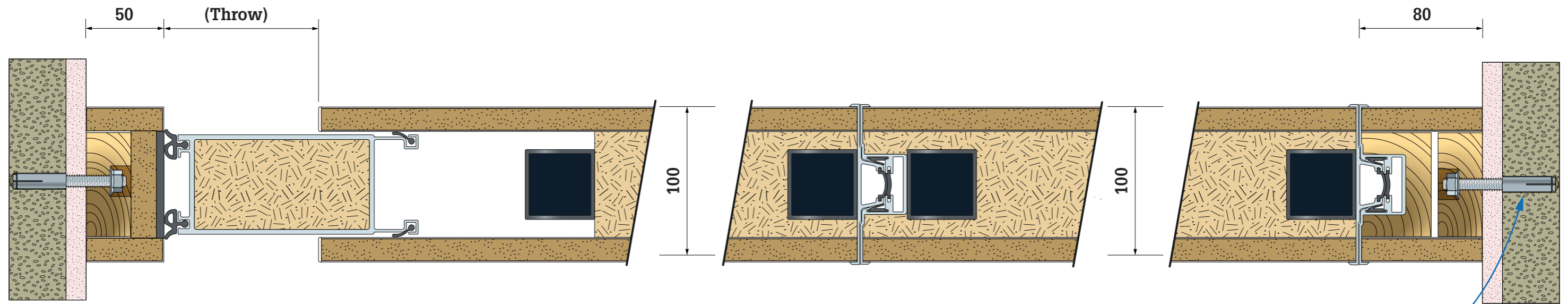
SCALE: NTS

Head Track Suspension
 Head track is suspended on 10mm high tensile 8.8 grade threaded bar.



Operable Wall Systems Ltd
 Greenacres, Flaunden Lane,
 Belsize, Hertfordshire. WD3 4NS
 01923 244 258

SYSTEM: MonoWall 100	
TITLE: MonoWall 100A Twin Point Panel Cross Section	
DRAWING NO: MW100ATPCS	
REV: 1.0	DATE: 25.01.21
DRAWING BY: Chris Hardey	
SCALE: NTS	



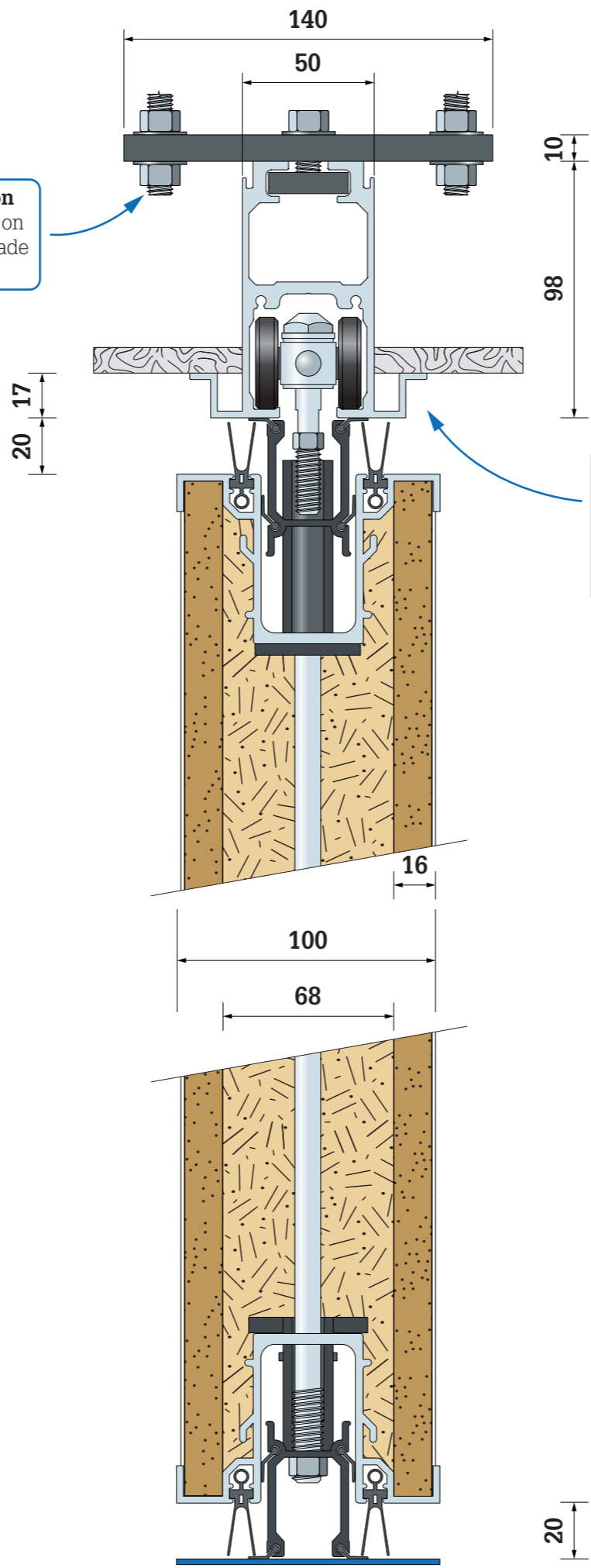
Wall Jamb Fixing Detail
 This fixing is indicative, the actual fixing depends on site conditions and substrate



Operable Wall Systems Ltd
 Greenacres, Flaunden Lane,
 Belsize, Hertfordshire. WD3 4NS
 01923 244 258

SYSTEM: MonoWall 100	
TITLE: MonoWall 100A Wall Jamb and Panel Details	
DRAWING NO: MW100AWJPD	
REV: 1.0	DATE: 25.01.21
DRAWING BY: Chris Hardey	
SCALE: NTS	

Head Track Suspension
 Head track is suspended on 10mm high tensile 8.8 grade threaded bar.



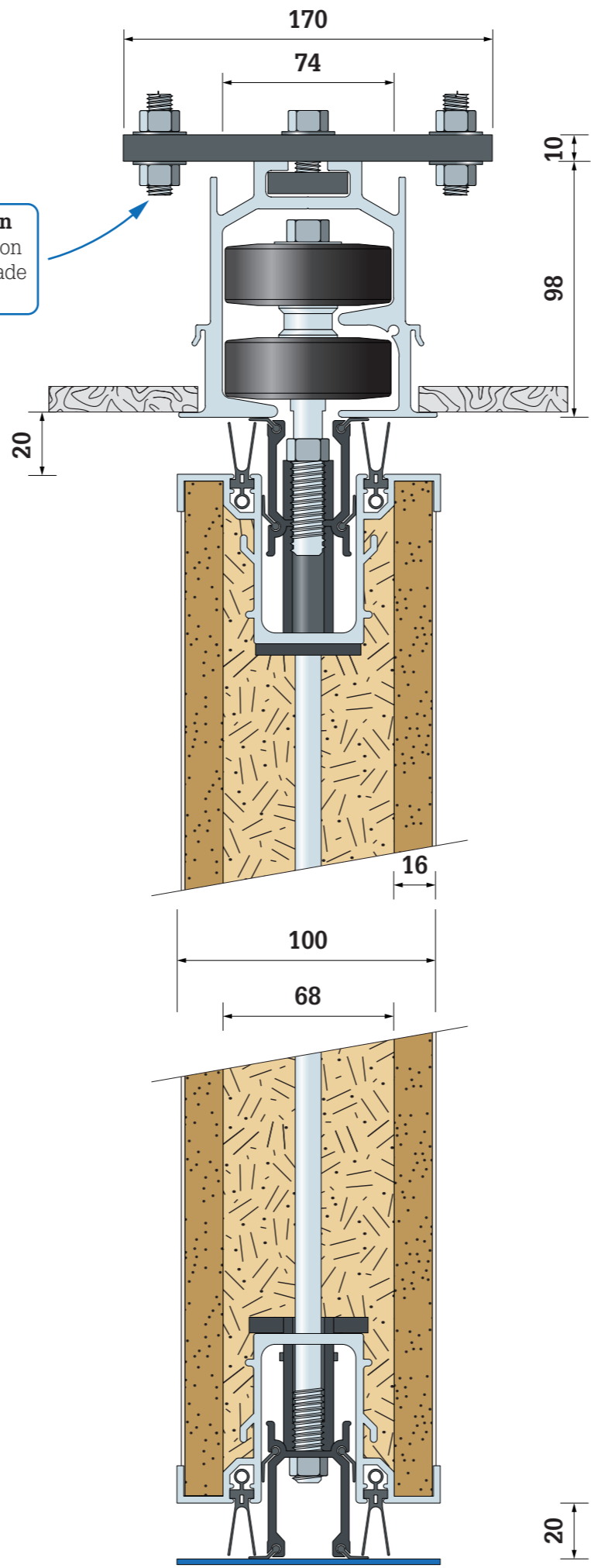
Single Point Head Track Upstand
 The upstand on our single point track systems, provides protection to ceiling surfaces should the panels be swung unintentionally when manovering them into or out of position.



Operable Wall Systems Ltd
 Greenacres, Flaunden Lane,
 Belsize, Hertfordshire. WD3 4NS
 01923 244 258

SYSTEM: MonoWall 100	
TITLE: MonoWall 100D Single Point Panel Cross Section	
DRAWING NO: MW100DSPCS	
REV: 1.0	DATE: 25.01.21
DRAWING BY: Chris Hardey	
SCALE: NTS	

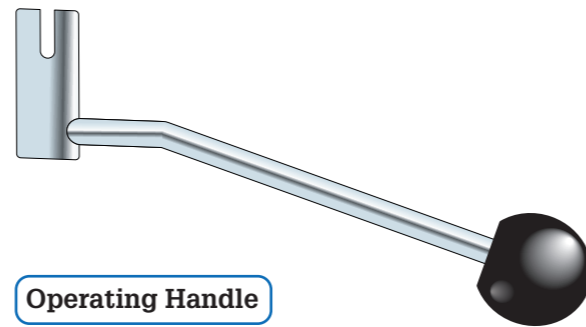
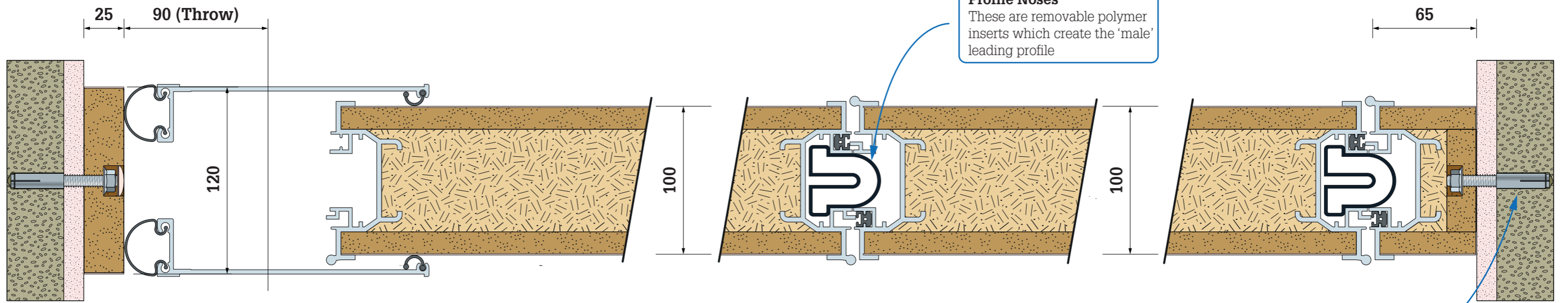
Head Track Suspension
 Head track is suspended on 10mm high tensile 8.8 grade threaded bar.



monowa
 Operable Wall Systems Ltd
 Greenacres, Flaunden Lane,
 Belsize, Hertfordshire. WD3 4NS
 01923 244 258

SYSTEM: MonoWall 100
TITLE:
 MonoWall 100D
 Twin Point Panel Cross Section
DRAWING NO: MW100DTPCS
REV: 1.0 **DATE:** 25.01.21
DRAWING BY: Chris Hardey
SCALE: NTS

The information contained within this drawing is Confidential, and remains the sole property of **Monowa Operable Wall Systems Ltd**
 COPYRIGHT Monowa Operable Wall Systems Ltd © 2021



Operating Handle



Operable Wall Systems Ltd
 Greenacres, Flaunden Lane,
 Belsize, Hertfordshire. WD3 4NS
 01923 244 258

SYSTEM: MonoWall 100

TITLE:
 MonoWall 100D
 Wall Jamb and Panel Details

DRAWING NO: MW100DWJPD

REV: 1.0 **DATE:** 25.01.21

DRAWING BY: Chris Hardey

SCALE: NTS

The information contained within this drawing is
 Confidential, and remains the sole property of
Monowa Operable Wall Systems Ltd
 COPYRIGHT Monowa Operable Wall Systems Ltd © 2021