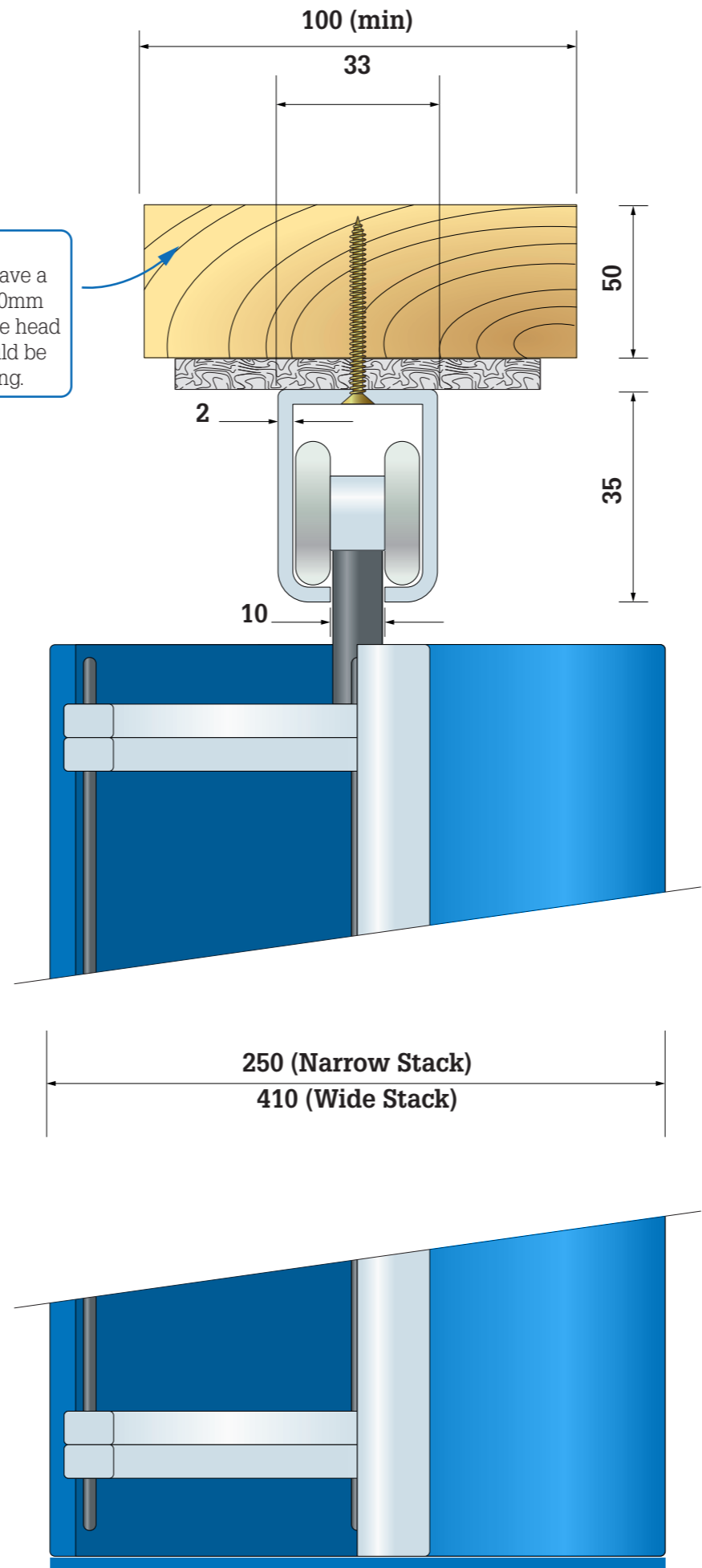


**Head Detail**  
 Opening head must have a minimum of a 100 x 50mm timber to screw-fix the head guide track into. Should be concealed above ceiling.



**Operable Wall Systems Ltd**  
 Greenacres, Flaunden Lane,  
 Belsize, Hertfordshire. WD3 4NS  
 01923 244 258

**SYSTEM:** MonoWave 50

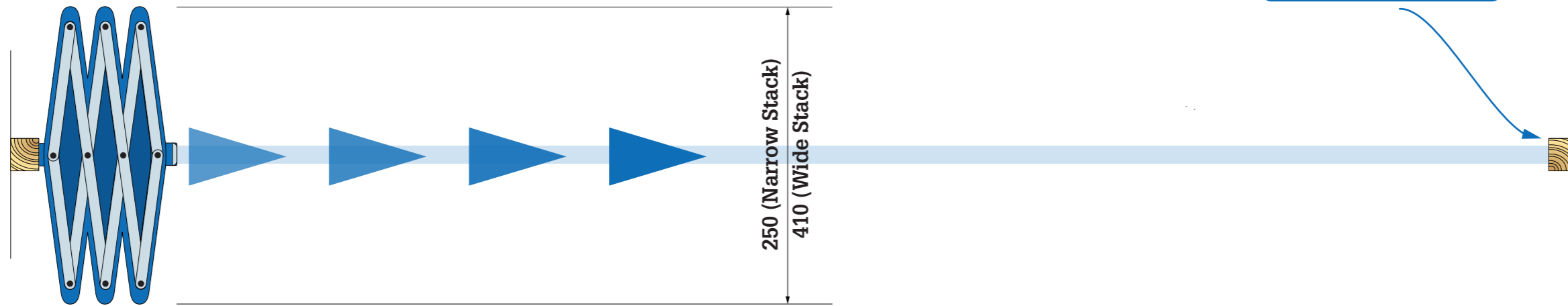
**TITLE:**  
 MonoWave 50  
 Vinyl Concertina Cross Section

**DRAWING NO:** MW50VCPCS

**REV:** 1.0      **DATE:** 20.10.21

**DRAWING BY:** Chris Hardey

**SCALE:** NTS



**Side Opening Detail**  
 Opening sides must have a minimum of a 100 x 50mm timber to screw-fix the wall posts too. To be constructed and finished by others.



**Operable Wall Systems Ltd**  
 Greenacres, Flaunden Lane,  
 Belsize, Hertfordshire. WD3 4NS  
 01923 244 258

**SYSTEM:** MonoWave 50

**TITLE:**  
 MonoWave 50  
 Vinyl Concertina Single Wing

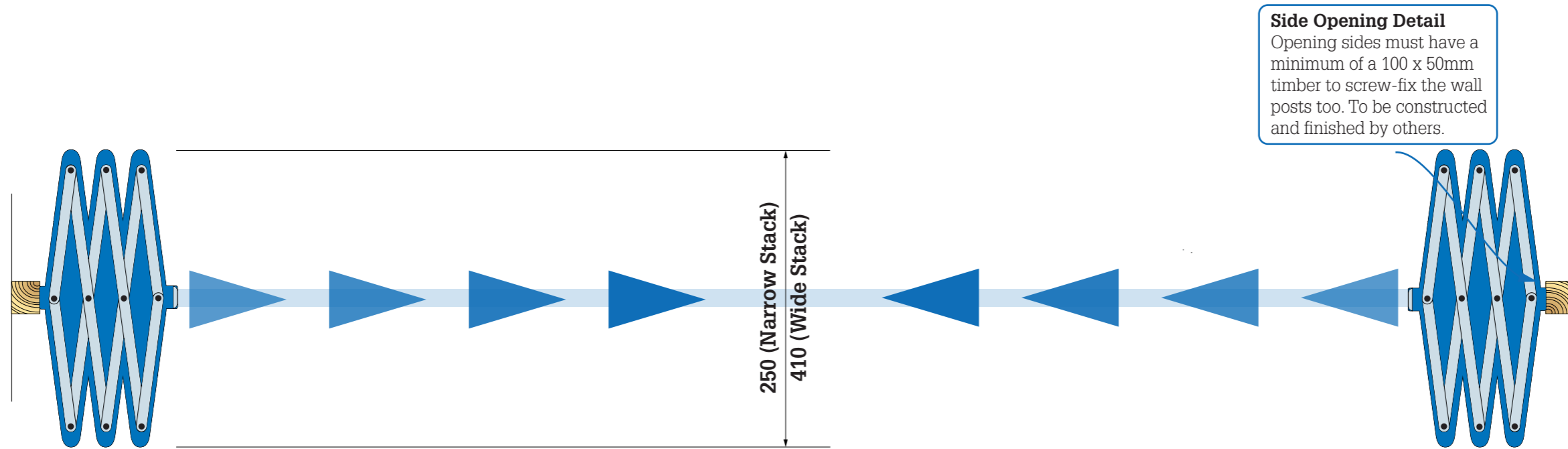
**DRAWING NO:** MW50VCPSW

**REV:** 1.0      **DATE:** 20.10.21

**DRAWING BY:** Chris Hardey

**SCALE:** NTS

The information contained within this drawing is Confidential, and remains the sole property of **Monowa Operable Wall Systems Ltd**  
 COPYRIGHT Monowa Operable Wall Systems Ltd © 2021



**Operable Wall Systems Ltd**  
 Greenacres, Flaunden Lane,  
 Belsize, Hertfordshire. WD3 4NS  
 01923 244 258

**SYSTEM:** MonoWave 50

**TITLE:**  
 MonoWave 50  
 Vinyl Concertina Bi-Folding

**DRAWING NO:** MW50VCPBF

**REV:** 1.0      **DATE:** 20.10.21

**DRAWING BY:** Chris Hardey

**SCALE:** NTS

The information contained within this drawing is  
 Confidential, and remains the sole property of  
**Monowa Operable Wall Systems Ltd**  
 COPYRIGHT Monowa Operable Wall Systems Ltd © 2021