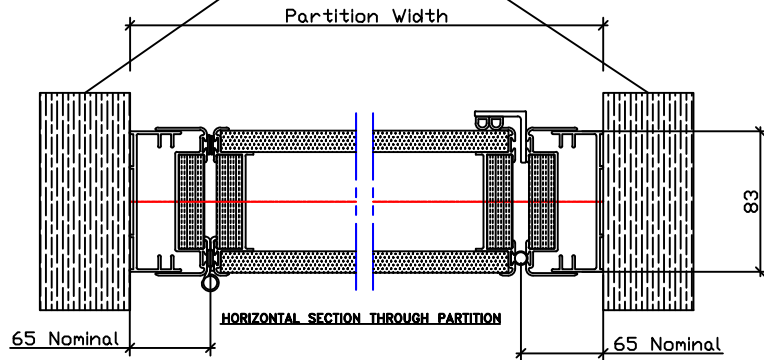
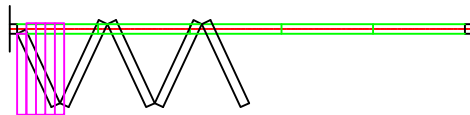


100 x 50mm timber or other suitable fixing to be fitted by Main Contractor.

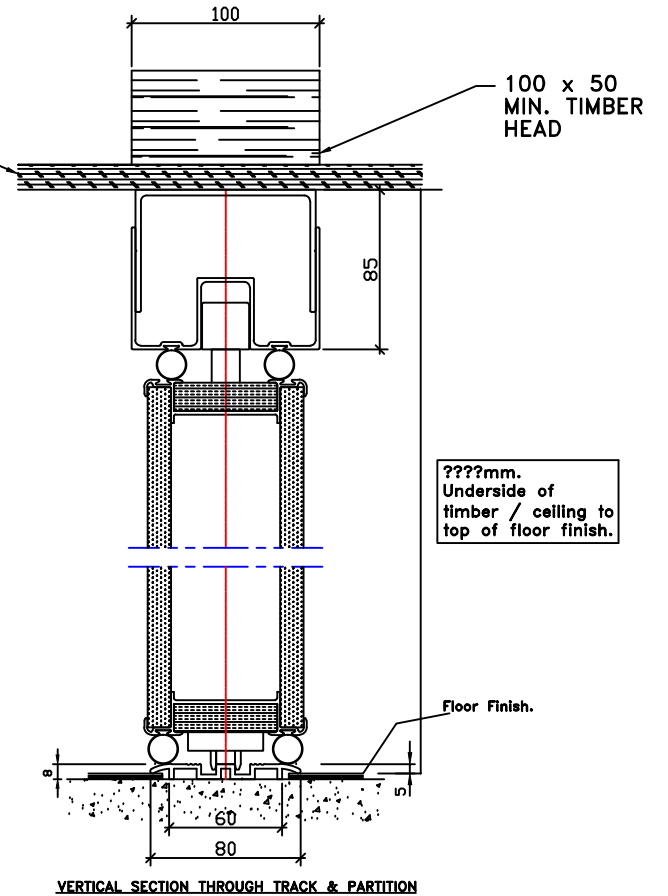


Endfold



Doors must remain connected (Magnetic Catches) until all panels are fully extended and locked into place.

All necessary supportwork including timber head by others. Tolerance of +/- 2mm on Floor Level.



Project: ?????			
Product: Sesam Vikett 85 Floor Mounted Partition.			
Configuration: Endfold, 1 wing of 4 full panels and 1 end panel.			
Finish: Duospan LP Laminate.			
Sound Reduction: ??dB (lab value)		Total Weight: ??kgs approx	
Ironmongery: Latch and Dish Handles		Drawing No: ???	
Scale: N.T.S.	Date: 20.12.13	Drawn By: RLW	Issue: A
Revisions:			

